

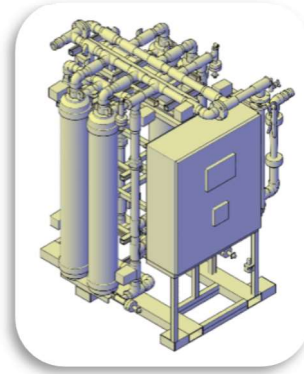
### Lime Treatment



#### General Water Quality:

Aluminum: <0.1 ppm  
Sulfates: <250 ppm  
Chlorides: <250 ppm  
Sodium: <100 ppm  
Turbidity: <0.3 NTU  
Alkalinity: <50 ppm  
Iron: <0.1 ppm  
TDS: No change

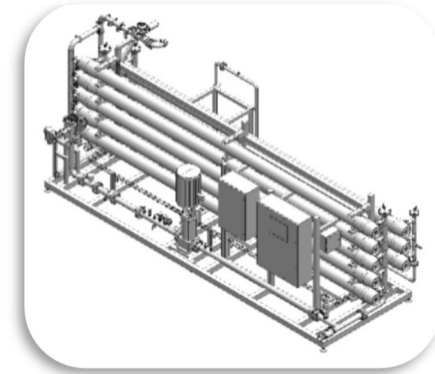
### Ultra-Filtration



#### General Water Quality:

Drinking Water standards for Spring Water and Mineral Water products as well as membrane system pretreatment.  
  
TDS: 250 ppm or less

### Membrane (Nano / RO)



#### General Water Quality:

Purified Water standards  
Aluminum: 0.2 mg/L or less  
Sulfates: 1.0 mg/L or less  
Chlorides: 0.5 mg/L or less  
Sodium: <0.5 mg/L  
Turbidity: 0.5 NTU or less  
TDS: <10 mg/L  
pH: 5.0 - 7.0

